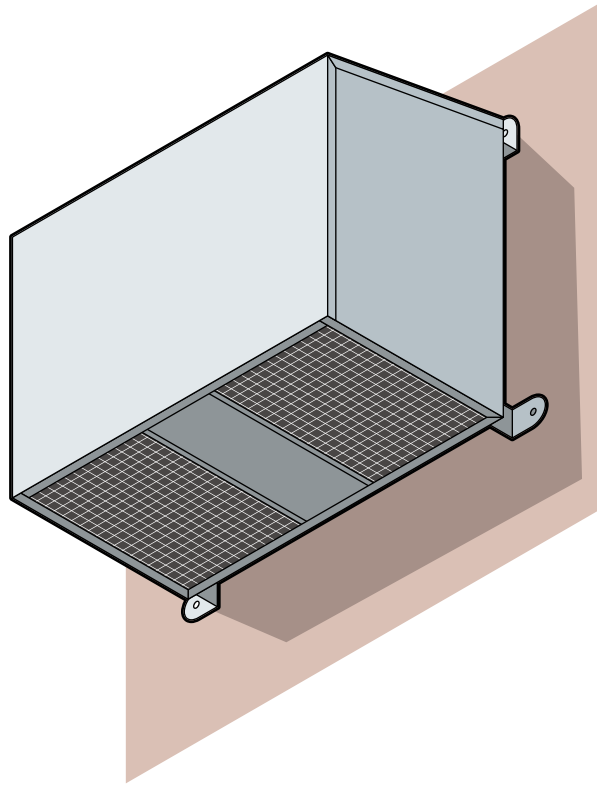


INSTALLATION GUIDE AND USERS MANUAL



In-Line Remote Blower

Model Type: **OUTDOOR**

Specification: Dual Blower, 1000 CFM,
120V, 600W

NOTICE: For residential use only.

Installer: Leave this guide with the homeowner.

Homeowner: Keep this guide for future reference.



Rev. 3062u.3a

TABLE OF CONTENTS

Important Safety Notice.....	3
Electrical Requirements.....	5
Venting Requirements.....	6
Calculating Duct System Length.....	7
Specifications.....	7
Required Tools.....	8
Dimensions.....	9
Vent Options.....	11
Wall Mounted Fan Control Panel.....	12
Wiring Diagram.....	13
Remote Blower Operations.....	14
Troubleshooting.....	15
Warranty.....	16
Disclaimer.....	17
Contact Us.....	17

IMPORTANT SAFETY NOTICE

Read all instructions before installing and operating this appliance

- The installation in this manual is intended for qualified installers, service technicians or persons with similar qualified background. Installation and electrical wiring must be done by qualified professionals and in accordance with all applicable codes and standards, including fire-rated construction.
- **DO NOT** attempt to install this appliance yourself. Injury could result from installing the unit due to lack of appropriate electrical and technical background.
- Range hood may have very sharp edges; please wear protective gloves if it is necessary to remove any parts for installing, cleaning or servicing.
- Activating any switch ON before completing installation may cause ignition or an explosion.
- Due to the size and weight of this range hood, two-person installation is recommended.

To reduce the risk of fire, electric shock, or injury to persons:

- For general ventilating use only. **DO NOT** use to exhaust hazardous or explosive materials and vapors.
- The combustion air flow needed for safe operation of fuel-burning equipment may be affected by this unit's operation. Follow the heating equipment manufacturer's guideline and safety standards such as those published by the National Fire Protection Association (NFPA), and the American Society of Heating, Refrigeration and Air Conditioning Engineers (ASHRAE), and the local code authorities.
- Before servicing or cleaning unit, switch power OFF at service panel and lock service panel to prevent power from being switched ON accidentally.
- Clean grease laden surfaces frequently. To reduce the risk of fire and to disperse air properly, make sure to vent air outside. **DO NOT** vent exhaust into spaces between walls, crawl spaces, ceiling, attics and/or garages.
- Ducted fans **MUST** always be vented to the outdoors.
- Use only metal ductwork and this unit **MUST** be grounded.
- Sufficient air is needed for proper combustion and exhausting of gases through the duct to prevent back drafting.
- When cutting or drilling into wall or ceiling, be careful not to damage electrical wiring or other hidden utilities.
- All electrical wiring must be properly installed, insulated and grounded.
- Old duct work should be cleaned or replaced if necessary to avoid the possibility of a grease fire.
- Check all joints on duct work to insure proper connection and all joints should be properly taped.
- Use this unit only in the manner intended by the manufacturer. If you have questions, contact the vendor.

To reduce the risk of a stove top grease fire:

- Keep all fans, spacers, filters, grease tunnels, oil containers and grease-laden surfaces clean. Grease should not be allowed to accumulate on fan, baffle, spaces, filter, grease tunnel and oil container.
- Always turn range hood ON when cooking at high heat or when cooking foods that produce flames.
- Use high settings on cooking range only when necessary.
- Never leave surface units unattended at high settings. Boil overs cause smoking and greasy spillovers that may ignite. Heat oils slowly on low or medium settings.

IMPORTANT SAFETY NOTICE

Read all instructions before installing and operating this appliance

- Clean ventilating fan frequently.
- Always use appropriate cookware and utensils size.
- Always use cookware appropriate for the size of the surface element.

To reduce the risk of injury to persons in the event of a stove top grease fire:

- Smother flames with a close-fitting lid, cookie sheet, or metal tray, then turn OFF the burner. Be careful to PREVENT BURNS. Never pick up a pan that has flames—you may be burned. Keep flammable and/or combustible material away from flames. If the flames DO NOT go out immediately, EVACUATE and CALL the FIRE DEPARTMENT or dial your local emergency service immediately.
- DO NOT use WATER, including wet dishcloths or towels — it will result in a violent steam explosion
- Use an extinguisher ONLY if:
 - You know you have a Class A, B, C extinguisher, and you already know how to operate it.
 - The fire is small and contained in the area where it has started.
 - The fire department is on the way.
 - You can fight the fire while having access to a safe exit.

To reduce the risk of injury to persons in the event of a gas leaks:

- Extinguish any open flame.
- DO NOT turn on the range hood fan or any type of ventilator.
- DO NOT turn on the lights or any type of appliance.
- Open all doors and windows to disperse the gas. If you still smell gas, call the gas company and fire department or dial your local emergency service immediately.

Your safety and the safety of others is very important. We have provided many important safety messages in this manual and on your appliance. Always read and obey all safety messages. All safety messages will tell you what the potential hazard is, tell you how to reduce the chance of injury, and tell you what can happen if the instructions are not followed.



WARNING



This is the safety alert symbol. This symbol alerts you to potential hazards that can hurt you and others. All safety messages will follow the safety alert symbol and the word “WARNING”.

The manufacturer and/or distributor/reseller declines all responsibility in the event of failure to observe the instructions given here for installation, maintenance and suitable use of the product.

The manufacturer and/or distributor/reseller further declines all responsibility for injury due to negligence and the warranty of the unit automatically expires due to improper maintenance.

The manufacturer and/or distributor/reseller will not be held responsible for any damages to personal property or real estate or any bodily injuries whether caused directly or indirectly by the range hood.

ELECTRICAL REQUIREMENTS

IMPORTANT: Observe all governing codes and ordinances.

It is the customer's responsibility:

- To contact a qualified electrician
- To assure that the electrical installation is adequate and in conformance with National Electrical Code, ANSI/NFPA 70 — latest edition*, or CSA Standards C22. 1-94, Canadian Electrical Code, Part 1 and C22. 2 No. 0-M91 - latest edition** and all local codes and ordinances.

If codes permit and a separate ground wire is used, it is recommended that a qualified electrician determine that the ground path is adequate.

A 120-Volt, 60 Hz, AC-only, fused electrical supply is required on a separate 15-amp circuit.

DO NOT ground to a gas pipe.

Check with a qualified electrician if you are not sure that the blower is properly grounded.

DO NOT have a fuse in the neutral or ground circuit.

IMPORTANT: Save this Installation Guide for electrical inspector's use.

The blower must be connected with copper wire/plug only.

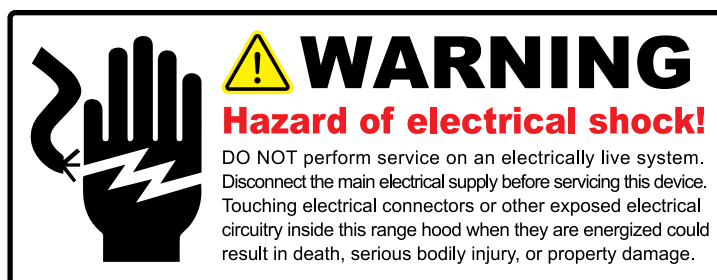
The blower should be connected directly to the fused disconnect (or circuit breaker) box through flexible armored or non-metallic sheathed copper cable. A U.L. - or C.S.A. - listed strain relief must be provided at each end of the power supply cable.

Wire sizes (copper wire only) and connections must conform with the rating of the appliance as specified on the model/serial rating label. Wire sizes must conform to the requirements of the National Electrical Code ANSI/NFPA 70 — latest edition*, or CSA Standards C22. 1-94, Canadian Electrical Code Part 1 and C22. 2 No. 0-M91 - latest edition** and all local codes and ordinances. A U.L. - or C.S.A. - listed conduit connector must be provided at each end of the power supply cable (at the range hood and at the junction box).

Copies of the standards listed may be obtained from:

* National Fire Protection Association
Batterymarch Park
Quincy, Massachusetts 02269

** CSA International
8501 East Pleasant Valley Road
Cleveland, Ohio 44131-5575



VENTING REQUIREMENTS

- Duct system must terminate to the outside (roof or side wall).
- DO NOT terminate the duct system in an attic or other enclosed area.
- DO NOT use 4" or 6" laundry-type wall caps.
- Use metal/aluminum duct only. Rigid metal/aluminum duct is recommended.
- DO NOT use plastic duct.
- Always keep the duct clean to ensure proper airflow.
- Calculate the following figures before installation:
 1. *Distance from the floor to the ceiling*
 2. *Distance from stove/countertop to range hood*
 3. *Height of hood and duct cover.*

For the most efficient & quiet operation:

- A distance of 28" to 36" is recommended* between stove top and the bottom of range hood
- It is recommended that the range hood be vented vertically through the roof through 8" or bigger round metal/aluminum duct work.
- The size of the duct should be uniform.
- Use no more than three 90° elbows.
- Make sure there is a minimum of 24" (61 cm) of straight duct between the elbows if more than one elbow is used.
- DO NOT install two elbows together.
- The length of duct system and number of elbows should be kept to a minimum to provide efficient performance.
- The duct system must have a damper. If the wall cap has a damper, DO NOT use damper (if supplied) on top of the range hood.
- Use aluminum foil tape to seal all joints in the duct system.
- Use caulking to seal exterior wall or roof opening around the cap. **USE 8" ROOF OR WALL VENT CAP MINIMUM.**

IMPORTANT:

- A minimum of a 8" round duct (standard for this blower) must be used to maintain maximum airflow efficiency. There is also an option to use an 10" round duct size for this unit.
- Always use rigid type metal/aluminum ducts if available to maximize airflow when connecting to provided duct.
- Please use Duct Run Calculation below to compute total available duct run when using elbows, transitions and caps.
- ALWAYS, when possible, reduce the number or transitions and turns in the duct run. If a long duct run is required, increase the duct size from 6" to 8". If a reducer is used, install a long reducer instead of a pancake reducer. Reducing the duct size will restrict airflow and decrease efficiency.
- If turns or transitions are required: Install as far away from opening and as far apart, between 2, as possible.
- Minimum mount height between stove top to hood bottom should be no less than 28-inch*.
- Maximum mount height between stove top to hood bottom should be no higher than 36-inch*.
- It is important to install the hood at the proper mounting height. Hoods mounted too low could result in heat damage and fire hazard; while hoods mounted too high will be hard to reach and will lose its performance and efficiency.
- If available, also refer to stove top manufacturer's height clearance requirements and recommended hood mounting height above range.

Minimum Duct Size:

- Round - 8" minimum
- Round - 10" recommended/optional

CALCULATING DUCT SYSTEM LENGTH

To calculate the length of the duct system you require, subtract the equivalent feet for each “Duct piece” (Table Below) used in the system from the “Recommended maximum run” (Table Below). The longest duct run that is acceptable (if completely straight) is 50 feet. The number of duct pieces (elbow, transition, etc.) installed in your duct run will determine the maximum length the duct run can be. Please refer to the example below:

Duct Run Calculation:	
Recommended maximum run	
8” or 10” round duct	50 ft
Duct piece deduction	
Each 90° elbow used	9 ft
Each 45° elbow used	5 ft
Each round to rectangle transition used	7 ft
Side wall cap with damper	7 ft
Roof cap	7 ft

Duct Run Calculation example:

One roof cap, two 90° elbows, and one 45° elbow used:

$$7ft + 9ft + 9ft + 5ft = \underline{30ft \text{ used.}}$$

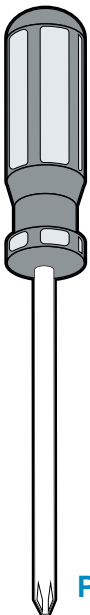
The above duct pieces used are equivalent to 30ft of a straight duct run. Subtract 30ft from the allowable 50ft. The remaining distance of 20ft is the longest that the straight ducting (in addition to the vent pieces) can be.

SPECIFICATIONS*

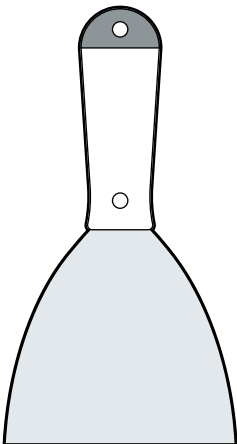
Body	Stainless Steel / Sheet Metal
Power Rating	120V/60Hz (USA & Canada standard)
General Input Power	600W (2 x 300W)
Motor Input Power	600W (2 x 300W)
Motor Revolution	800 RPM (±10%) to 1300 RPM (±10%)
Levels Of Speed Control	4 Levels
Maximum Airflow	1000 CFM for 8” duct / 1150 CFM for 10” duct
Air Pressure	150 Pa
Noise Level (sone)	Approximately 1.5 to 6.8 (Lowest to highest Speed)
Motor Type	Single Chamber Ultra Quiet
Fan Type	Centrifugal
Venting Size	8” or 10” round exhaust

* Subject to change without notice, please contact your local reseller for details.

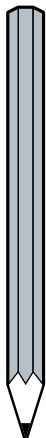
REQUIRED TOOLS



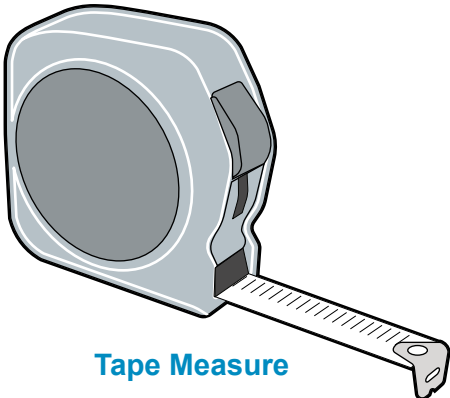
Phillips Screwdriver



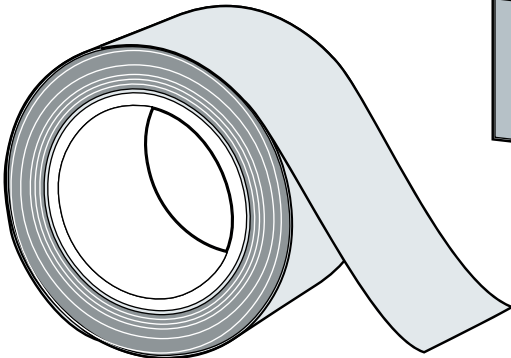
Putty Knife



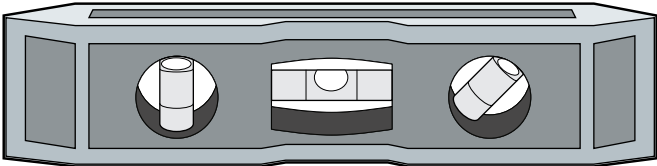
Marker or Pencil



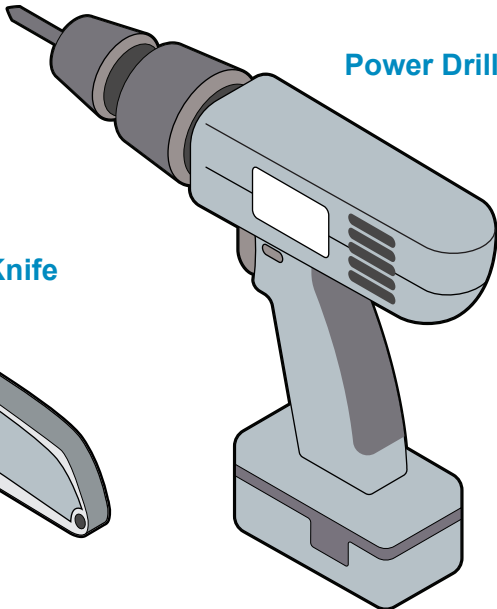
Tape Measure



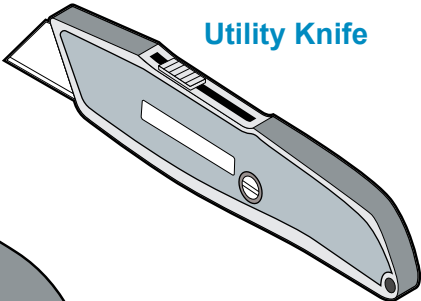
Aluminum Tape



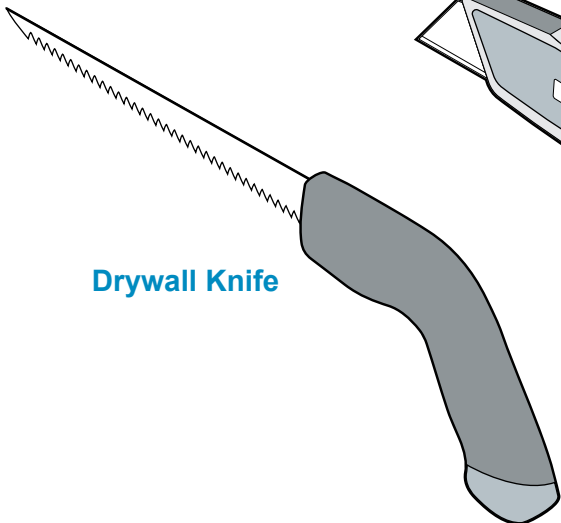
Level



Power Drill

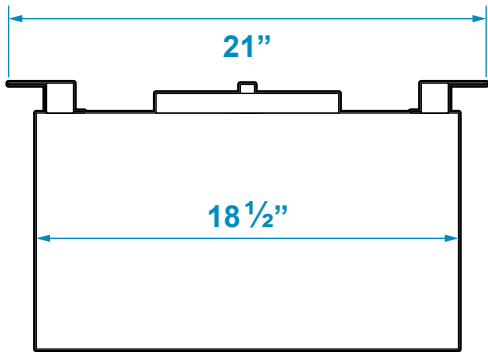


Utility Knife

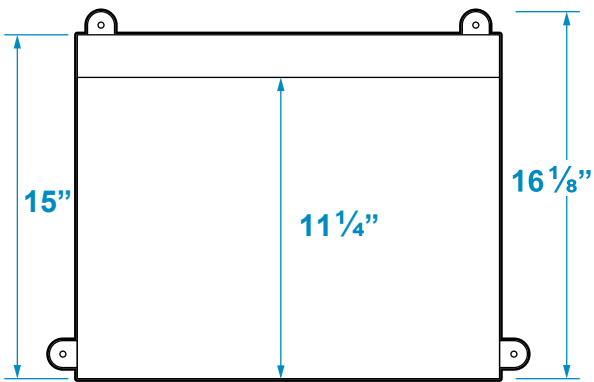


Drywall Knife

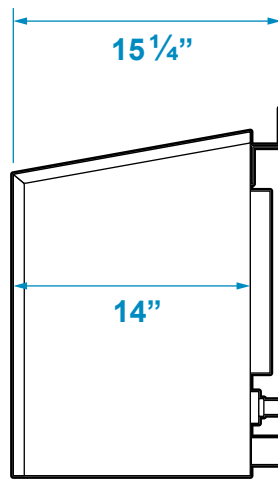
DIMENSIONS



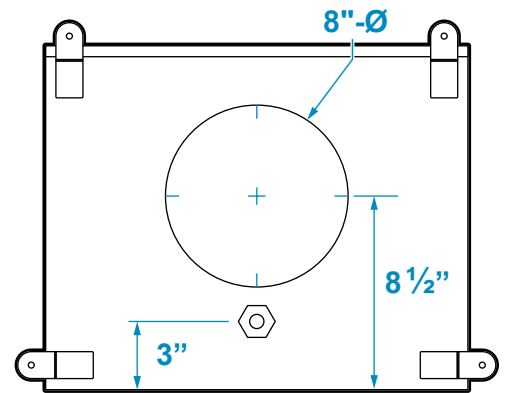
TOP VIEW



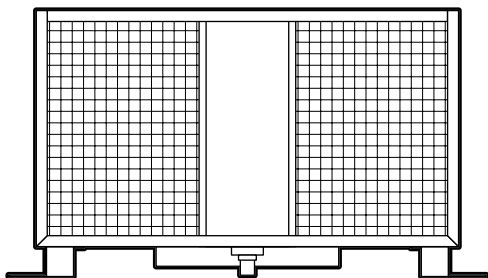
FRONT VIEW



SIDE VIEW



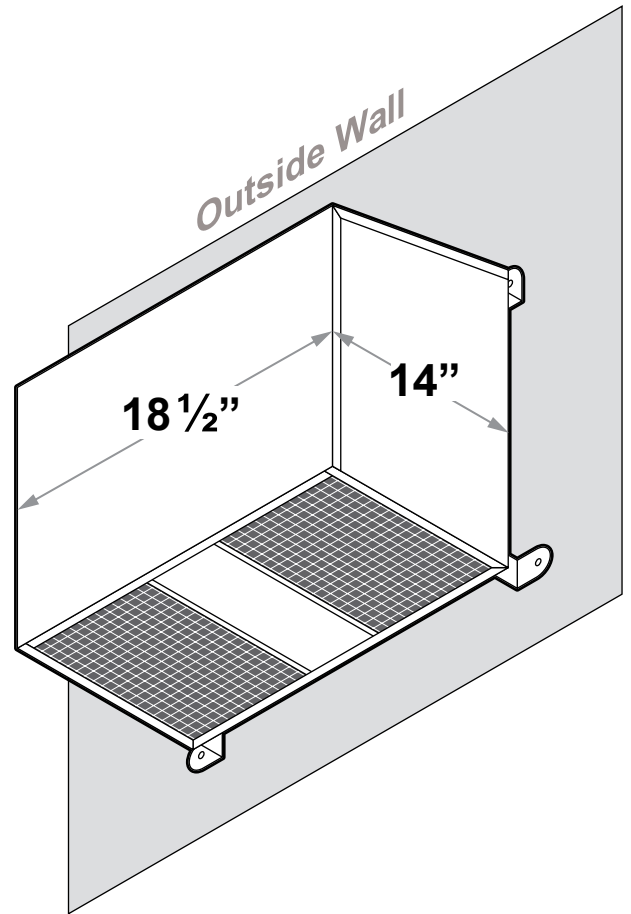
BACK VIEW



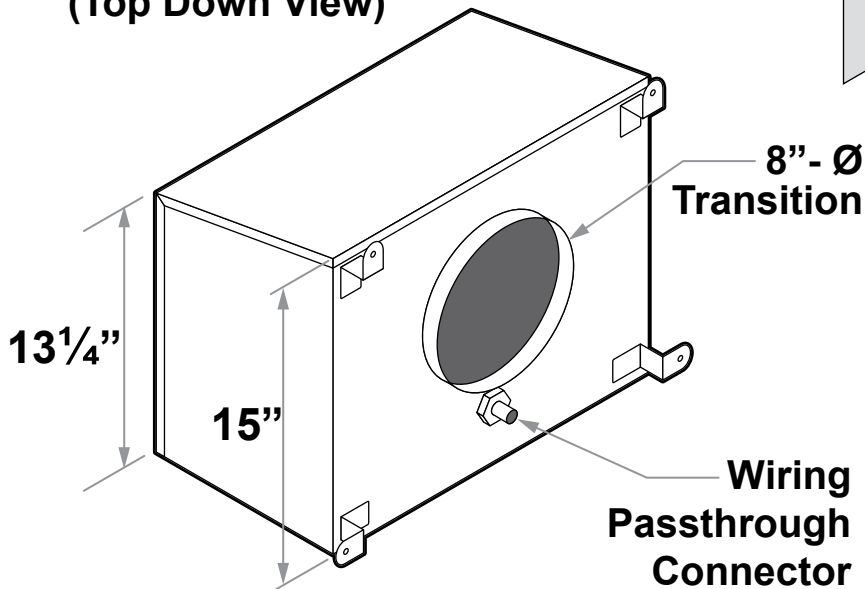
BOTTOM VIEW

DIMENSIONS (Continued)

**Outdoor Remote Blower
attached vertically on wall
outside the home
(Bottom Up View)**



**Showing Duct Connection
(Top Down View)**

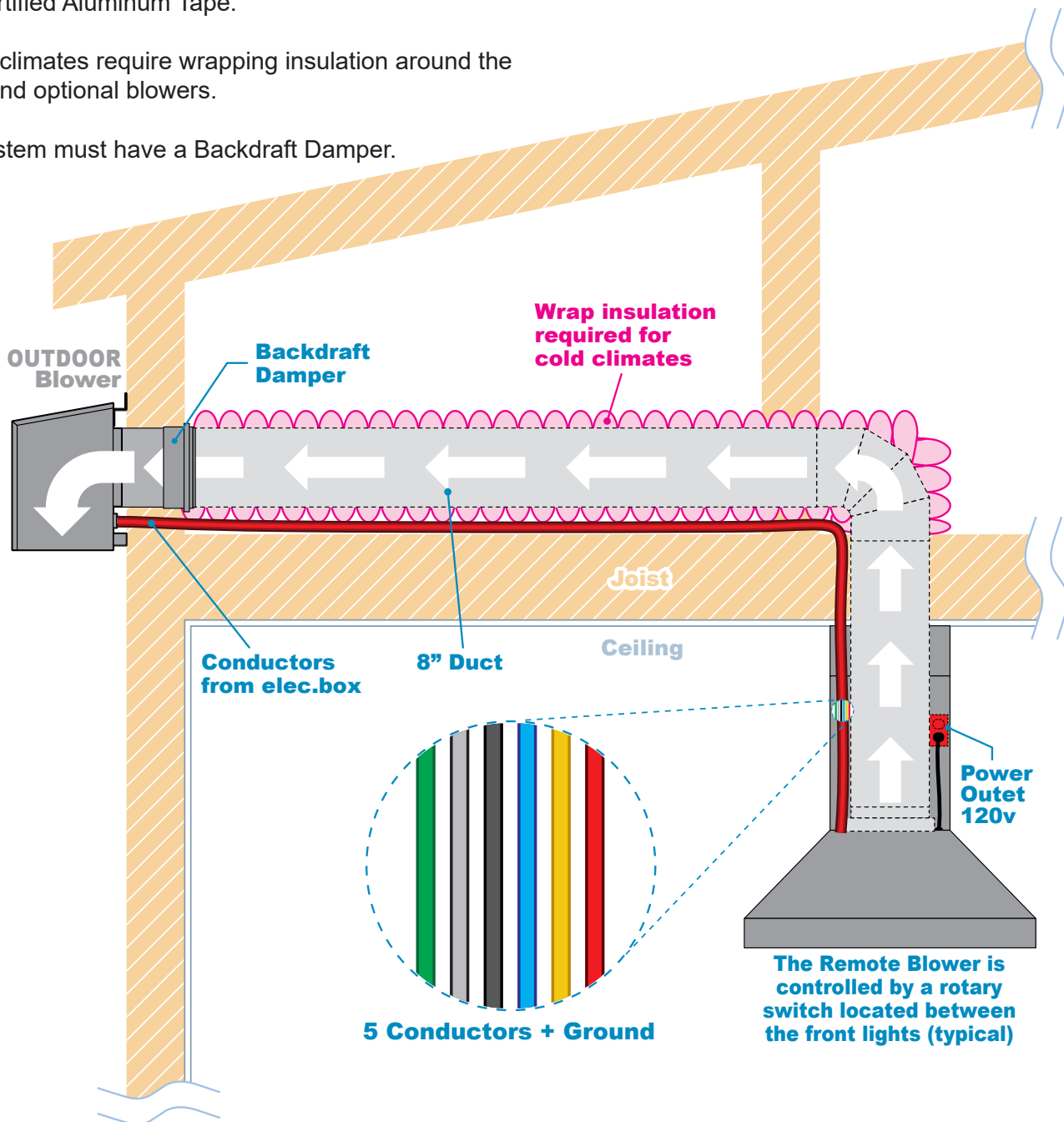


VENT OPTIONS

Vent work can terminate either through the roof or wall.

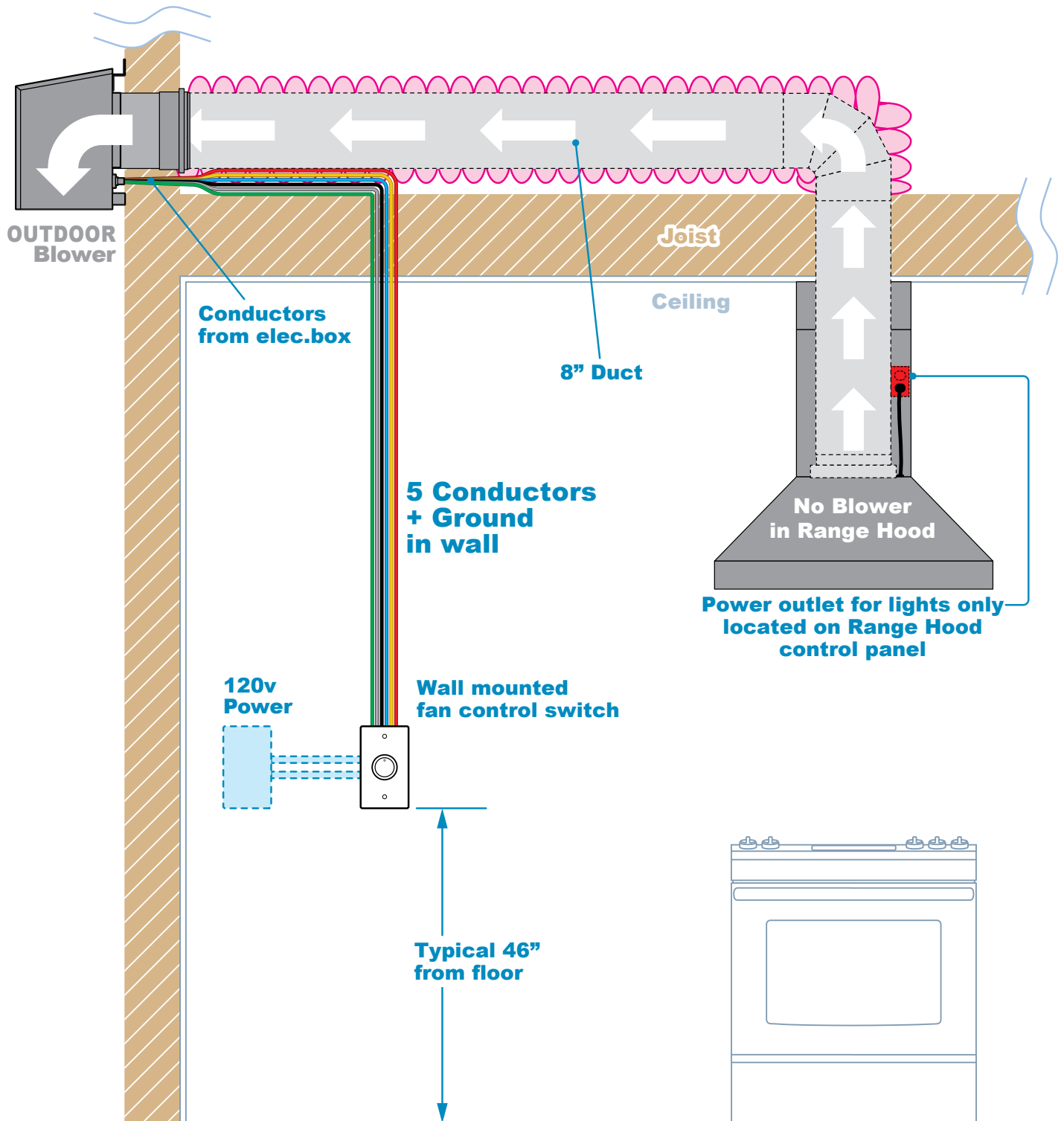
IMPORTANT:

- NEVER exhaust air or terminate duct work into spaces between walls, crawl spaces, ceiling, attics or garages. All exhaust must be ducted to the outside.
- Use metal/aluminum duct work only.
- Fasten all connections with sheet metal screws and tape all joints with certified Aluminum Tape.
- Colder climates require wrapping insulation around the ducts and optional blowers.
- The system must have a Backdraft Damper.

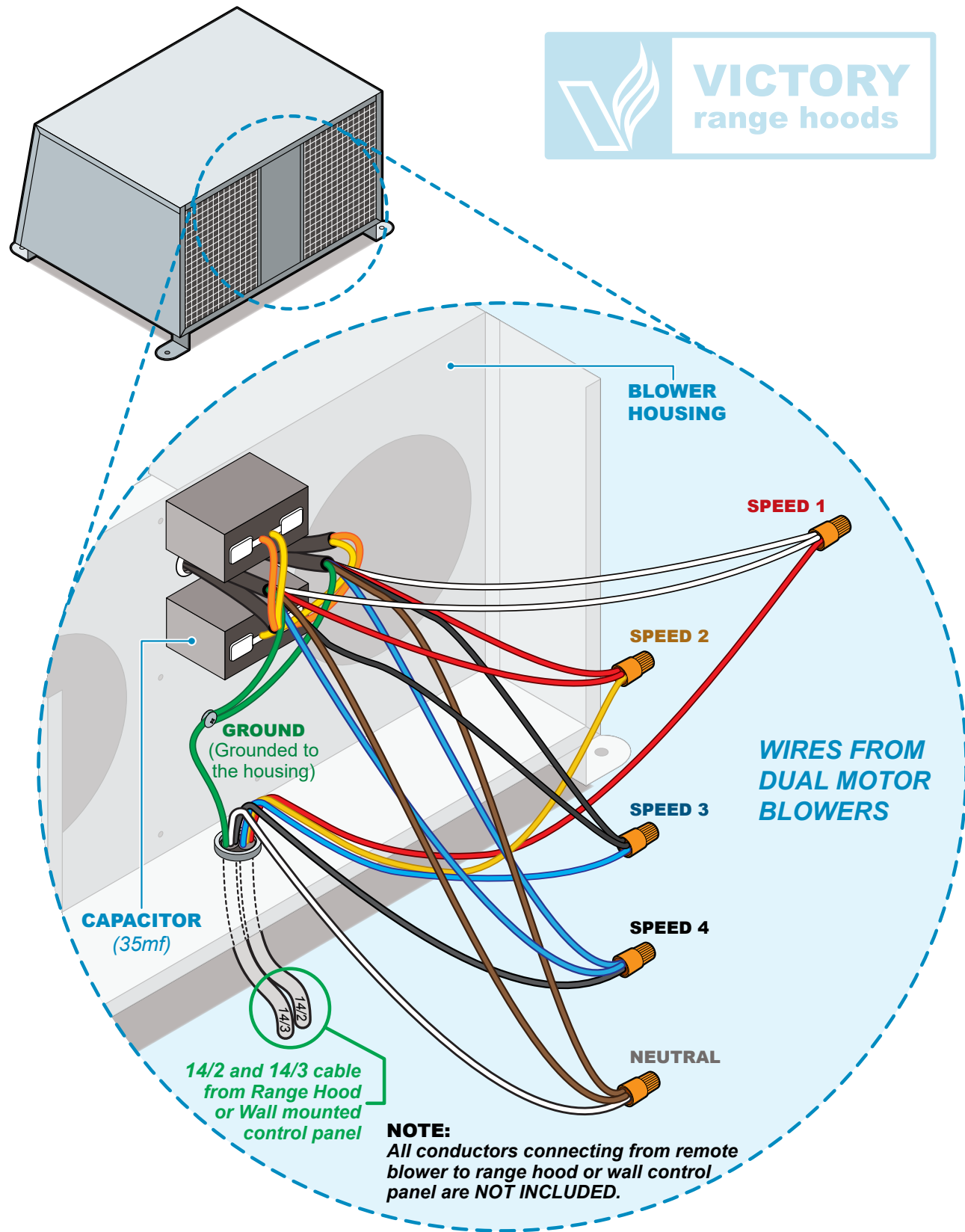


* Due to different ceiling height configurations, recommended height may not be applicable.

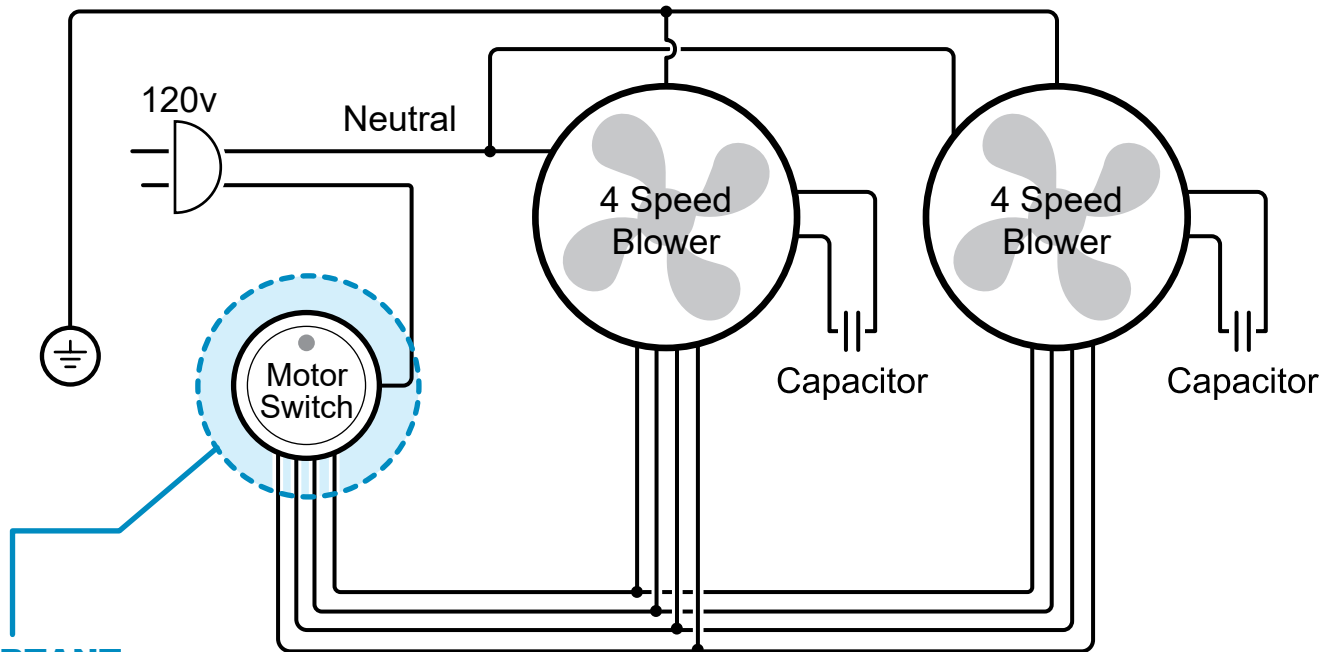
WALL MOUNTED FAN CONTROL PANEL



WIRING DIAGRAM



WIRING DIAGRAM (Continued)



IMPORTANT:

The motor switch is a separate option from the remote blower.

If purchased with a range hood, the remote blower can be connected to the existing 4-speed motor switch controls typical in most models of our range hoods.

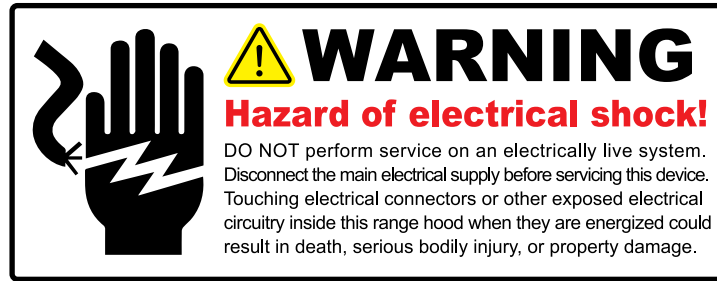
The remote blower alone does NOT INCLUDE a 4-speed motor switch, and must be considered for separate purchase.

REMOTE BLOWER OPERATIONS

This Remote Blower can be wired directly to the range hood where there may be existing rotary switch controls. Please refer to the range hood you have selected for fan switch operations.

This Remote Blower has the option to be wired to a wall mounted rotary fan switch panel. Please discuss with Victory Range Hoods your preferred selection of control switch and its operation.

TROUBLESHOOTING



- 1) If the blower does not operate after installation:
 - Check if the blower has been plugged in, make sure that all power has been turned back ON, and all electrical wiring are properly connected.

- 2) The blower or fan seems weak:
 - Duct is too small. Range hood WILL NOT function efficiently with insufficient duct size. For example: Connecting this hood to 4", 5' or 6" duct will reduce the suction and create extra noise and vibrations. Check if duct is clogged or if damper unit is not installed correctly or opening properly. A tight mesh on a side wall cap unit might also cause restriction to the air flow.

- 3) The blower is not spinning, is stuck or is rattling:
 - The blower might be jammed or scraping the bottom due to shipping damage. Please contact us immediately.

- 4) The hood is not venting out properly:
 - Check if all joints are properly connected, sealed, and taped.
 - Make sure the power is on high speed for heavy cooking.

NOTE: For all other inquiries, please contact Victory Range Hoods.

WARRANTY

TO OBTAIN SERVICE UNDER WARRANTY:

You must present proof of original purchase date.

*Please provide an original dated proof of purchase (sales receipt / invoice)
in order to obtain service under warranty.*

One Year Parts Warranty:

For one year from the date of original purchase, Victory Range Hoods will provide free of charge, non-consumable replacement parts or components that failed due to manufacturing defects. Subject to the conditions and limitations set forth below, Victory Range Hoods will replace any part of its products that prove defective by reason of improper workmanship or materials. Replacement parts or products will be provided by Victory Range Hoods on an exchange basis, and will be either new or refurbished to be functionally equivalent to new.

Who is Covered:

This warranty is extended to the original purchaser for products purchased for ordinary home use.

This Warranty Will Be Voided When:

Product is damaged through negligence, improper installation, accident, abuse, misuse, natural disaster, insufficient or excessive electrical supply, abnormal mechanical or environmental conditions, or any unauthorized disassembly, repair, modification, or failure to follow installation instructions. When product is used commercially or other than its intended purpose. Damaged because of improper connection with equipment of other manufacturers. Repaired or modified by anyone other than Victory Range Hoods. This limited warranty also does not apply to any product on which the original identification information has been altered, obliterated or removed, has not been handled or packaged correctly or has been sold as second-hand.

What is Not Covered:

The natural wear of finish, and wear due to improper maintenance, use of corrosive and abrasive cleaning products, pads, and oven cleaner products. Chips, dents or cracks due to abuse, misuse, freight damage, or improper installation. Damage of product caused by accident, fire, floods or acts of God. The manufacturer and/or distributor/reseller is not liable for, and does not cover under warranty, any loss of properties or any costs associated with removing, servicing, installing, or determining the source of problems with this product.

This warranty is valid in Canada and the United States of America. It is non-transferable and applies only to the original purchaser and does not extend to subsequent owners of this product. Any applicable implied warranties, including the warranty of merchantability, are limited in duration to a period of express warranty as provided herein beginning with the date of original purchase and, no warranties, whether expressed or implied, shall apply to this product thereafter.

To obtain warranty service, you may contact Victory Range Hoods. Please confirm the terms of Victory Range Hood's policies prior to contacting us. Typically, you must include product identification information, such as the model number/name with a detailed description of the problem you are experiencing. You must also include proof of the date of original purchase as evidence that the product is within the applicable warranty period, and that it is a genuine range hood from Victory Range Hoods.

The information in this document is subject to change without notice, please contact Victory Range Hoods for updated details.

DISCLAIMER

Carefully inspect all items for damages before accepting delivery. Note any damages on the freight bill or express receipt. Request name and signature of the carrier's agent and keep a copy to support your claim. Upon acceptance of items, owner assumes responsibility for its safe arrival. Report damages to the carrier and file a claim immediately. Failure to do so may result in the denial of your claim. The carrier will furnish you with necessary forms for filing a claim.

Damages on any returns or exchanges caused during transit are not covered under our warranty (the customer must insure the return with the shipping company). If your range hood is damaged in transit, please contact us within 14 days of receiving your new order to report the damages. Victory Range Hoods will, to the best of its ability, file a damage claim and investigate the matter.

Please inspect contents of package(s) carefully upon receiving! We must be notified of any damages and/or missing parts within fourteen (14) days upon your receipt of the package(s). Claims will not be accepted after fourteen (14) days. NOTE: Items are thoroughly tested and carefully packed in our facility before shipping.

Products must be returned in good working condition with ALL original parts and documentation packed in all original cartons, fillers and shipping cartons. A restocking fee of 10% will be charged for all approved return(s). Exchanges or returns will not be accepted if the unit has been installed, and may be rejected if parts are missing.

Make sure to inspect the hood for damages and defects before installation. Appearance flaws of the hood found after installation and not affecting hood performance are not covered under our warranty for returns or exchanges. Service visits are not covered under warranty and will carry a service charge.

CONTACT US

If you require assistance, please contact Victory Range Hoods. Please have your order number and model of the range hood ready. You must have this information in order to receive a response to your request.

If you need replacement parts, we recommend using only genuine parts. Our accessories and parts are engineered and designed specifically for VICTORY range hoods. Each part is rigorously tested assuring the utmost in durability and reliability, providing a factory match, factory-installed appearance and functionality tailored to each individual range hood model.

Toll Free: 1-800-394-4020
info@kitchenhoods.ca

The information in this document is subject to change without notice, please contact Victory Range Hoods for updated details.



583 Nicola Avenue | Port Coquitlam | BC | Canada | V3B 0M3
www.kitchenhoods.ca